

# Masport<sup>®</sup> Heating

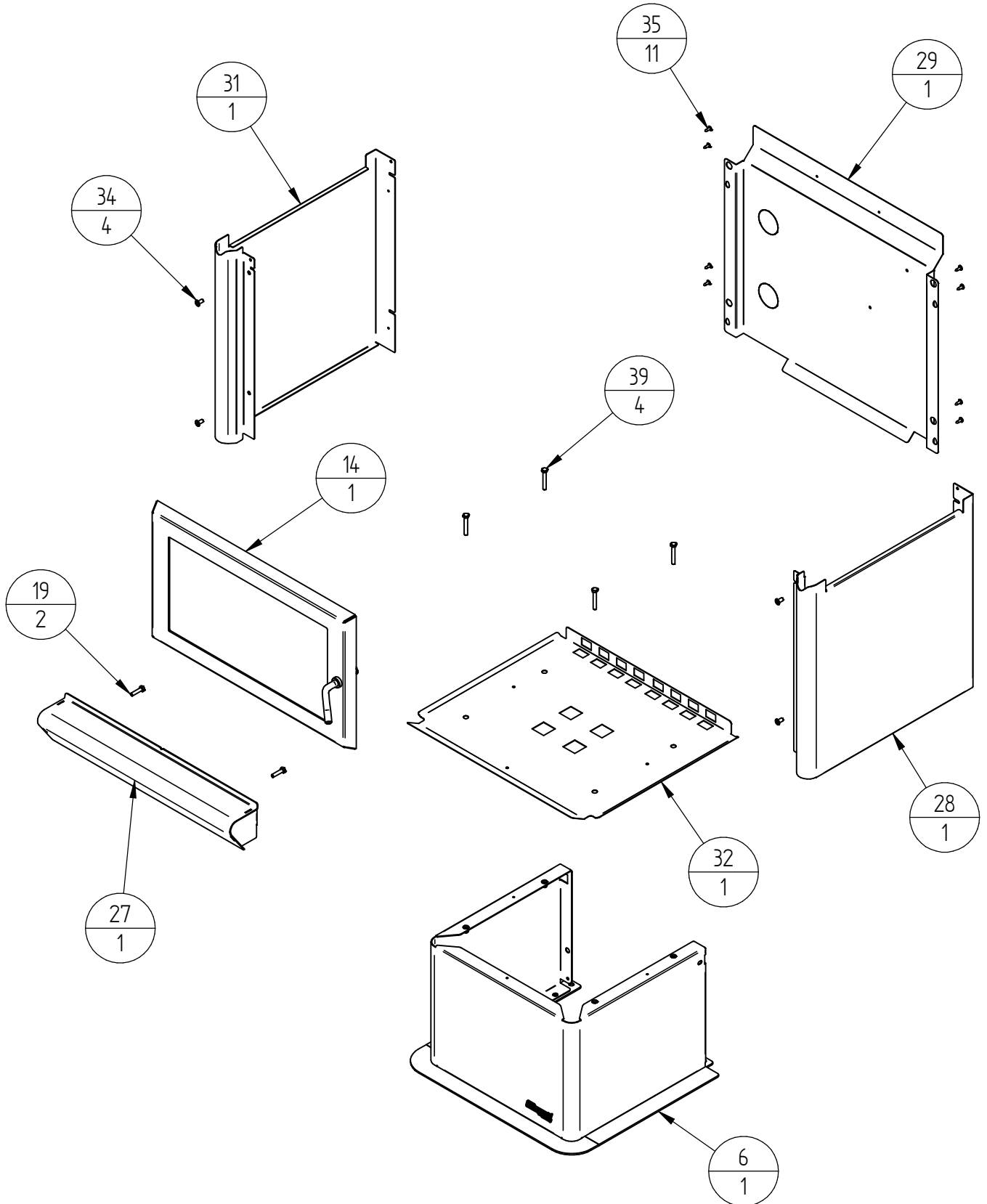
## FREESTANDING WOOD FIRES

### R3000 - NEW ZEALAND

Item No.	MARKET	FUEL TYPE	FINISHING	YEAR	FAN
992930 (PEDESTAL)	NZ	SOFTWOOD	Metallic Black VHT Paint	AUG-2018	-N/A-
992931 (LEG)				NOV-2018	
992934 (RURAL LEG)					



## PANELS, DOOR AND PEDESTAL (PED)

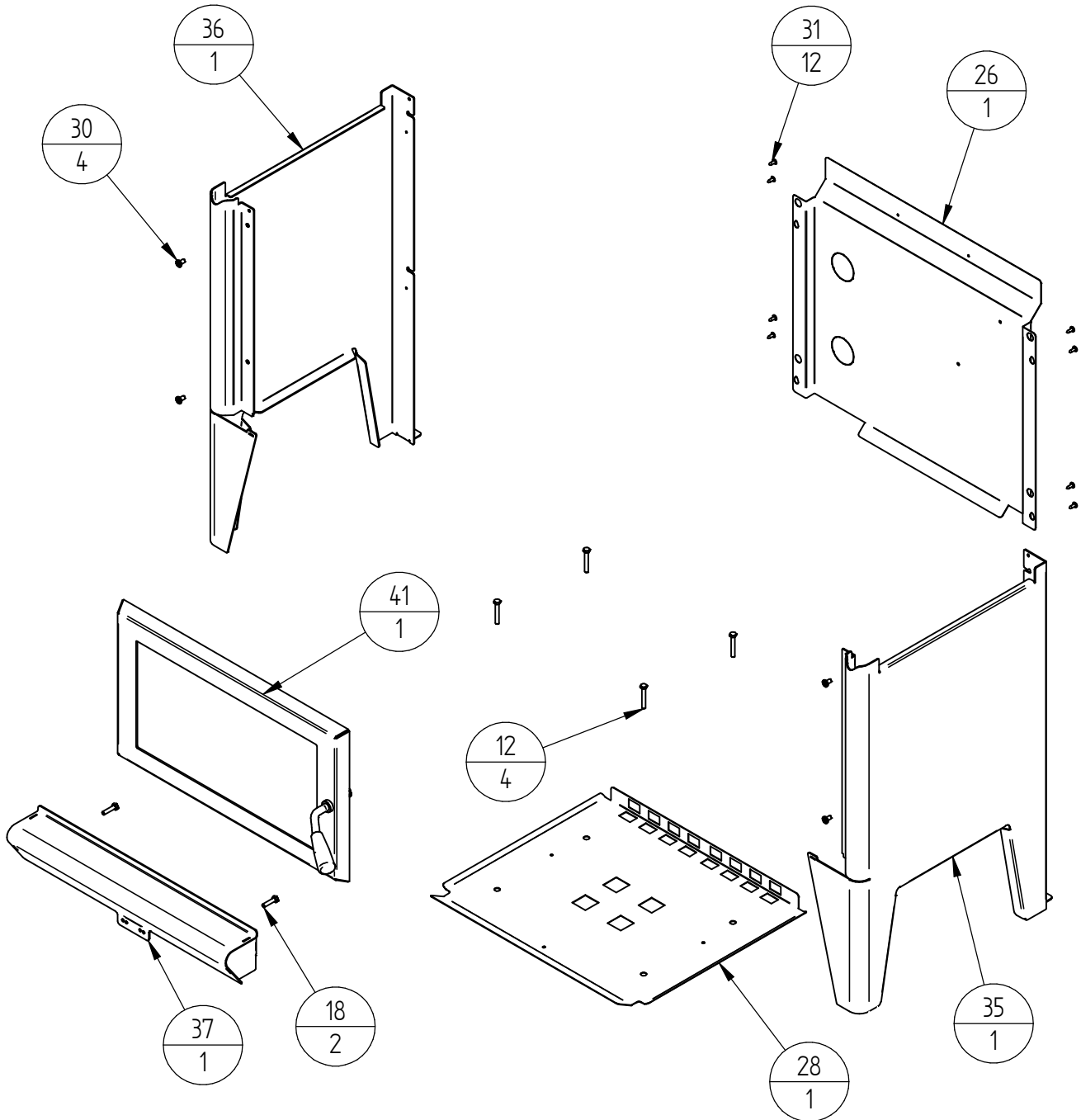


When ordering PLEASE QUOTE PART ID, MODEL Number & DESCRIPTIONS, NOT ITEM Number  
determining left hand side from viewing position

Item Number	File Name	Model		Quantity
		992930		
6	992215	V02	R3000 PED WELDED SUB	1
14	992176		R3000 DOOR COMPLETE ASSY	1
19	521057		SCREW; M6X25 HEX ST	2
27	992222	V02	R3000 ASH LIP SUB	1
28	992221	V02	R3000 R/H SIDE PANEL	1
29	992226	V02	R3000 REAR PANEL	1
31	992220	V02	R3000 L/H SIDE PANEL	1
32	992186	V02	R3000 BASE H/S	1
34	521045		SCREW; M6X10 PAN POZI BLK	4
35	521645		SCREW; S/T 8GX1/2" MUSH FLANGE POZI BLK	11
39	521077		SCREW; M6X40 HEX ZP	4

When ordering PLEASE QUOTE PART ID, MODEL Number & DESCRIPTIONS, NOT ITEM Number  
determining left hand side from viewing position

# PANELS, DOOR AND LEG (LEG & RURAL LEG)

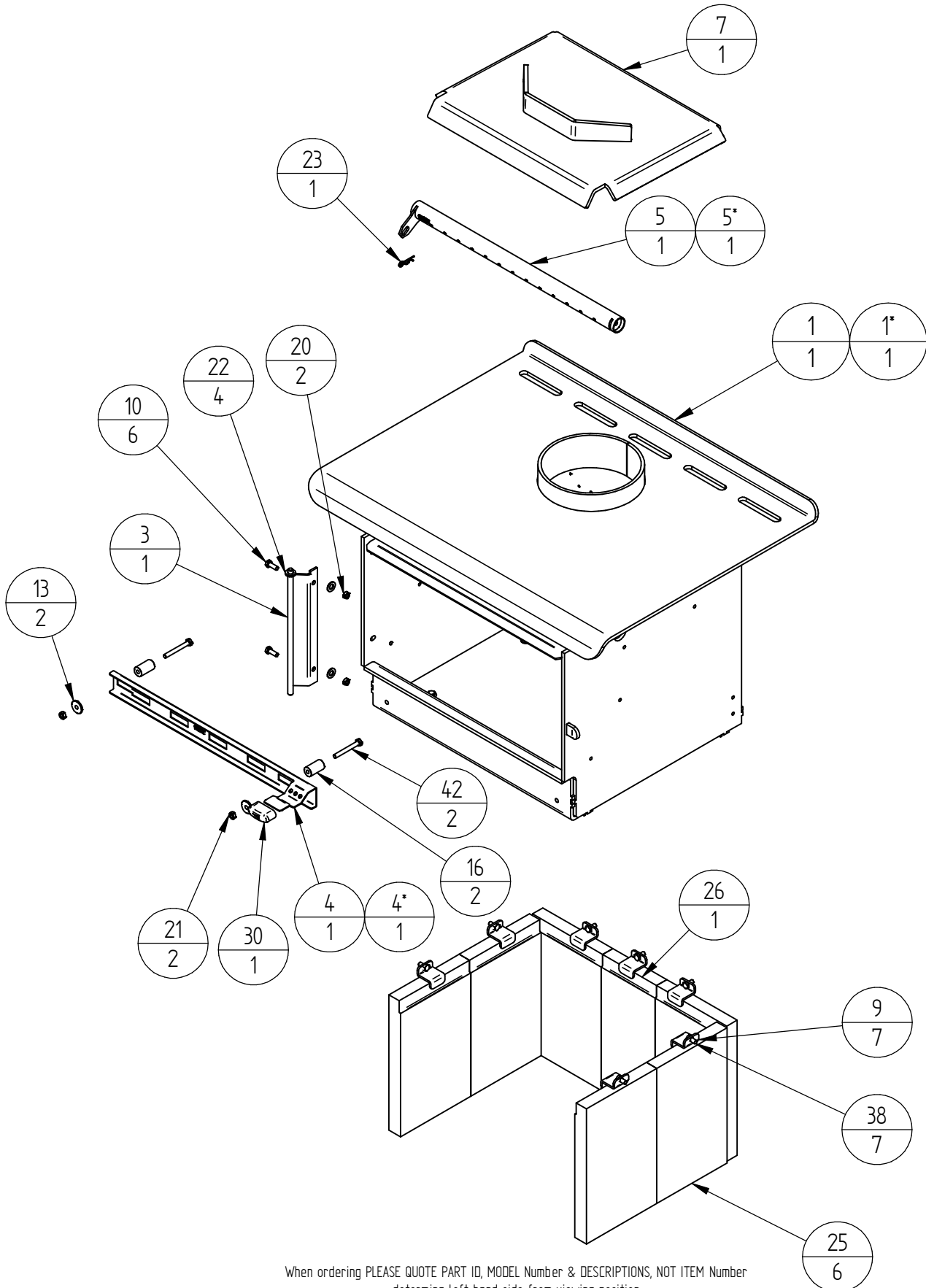


When ordering PLEASE QUOTE PART ID, MODEL Number & DESCRIPTIONS, NOT ITEM Number  
determining left hand side from viewing position

PANELS, DOOR AND PEDESTAL (LEGS)					
Item Number	File Name	Model(s)		Title	Quantity
		992931	992934		
12	521077			SCREW; M6X40 HEX ZP	4
18	521057			SCREW; M6X25 HEX ST	2
26	992226	V02	V02	R3000 REAR PANEL	1
28	992186	V02	V02	R3000 BASE H/S	1
30	521045			SCREW; M6X10 PAN POZI BLK	4
31	521645			SCREW; S/T 8GX1/2" MUSH FLANGE POZI BLK	12
35	992233	V02	V02	LEG PANEL RH (SUB)	1
36	992234	V02	V02	R3000 LEG PANEL LH (SUB)	1
37	992229	V02	V02	R3000 ASHLIP BADGE ASSEMBLY	1
41	992176			R3000 DOOR COMPLETE ASSY	1

When ordering PLEASE QUOTE PART ID, MODEL Number & DESCRIPTIONS, NOT ITEM Number  
determining left hand side from viewing position

# AIRSLIDE, BAFFLE, BRICKS AND FIREBOX (FOR PED, LEG AND RURAL LEG)



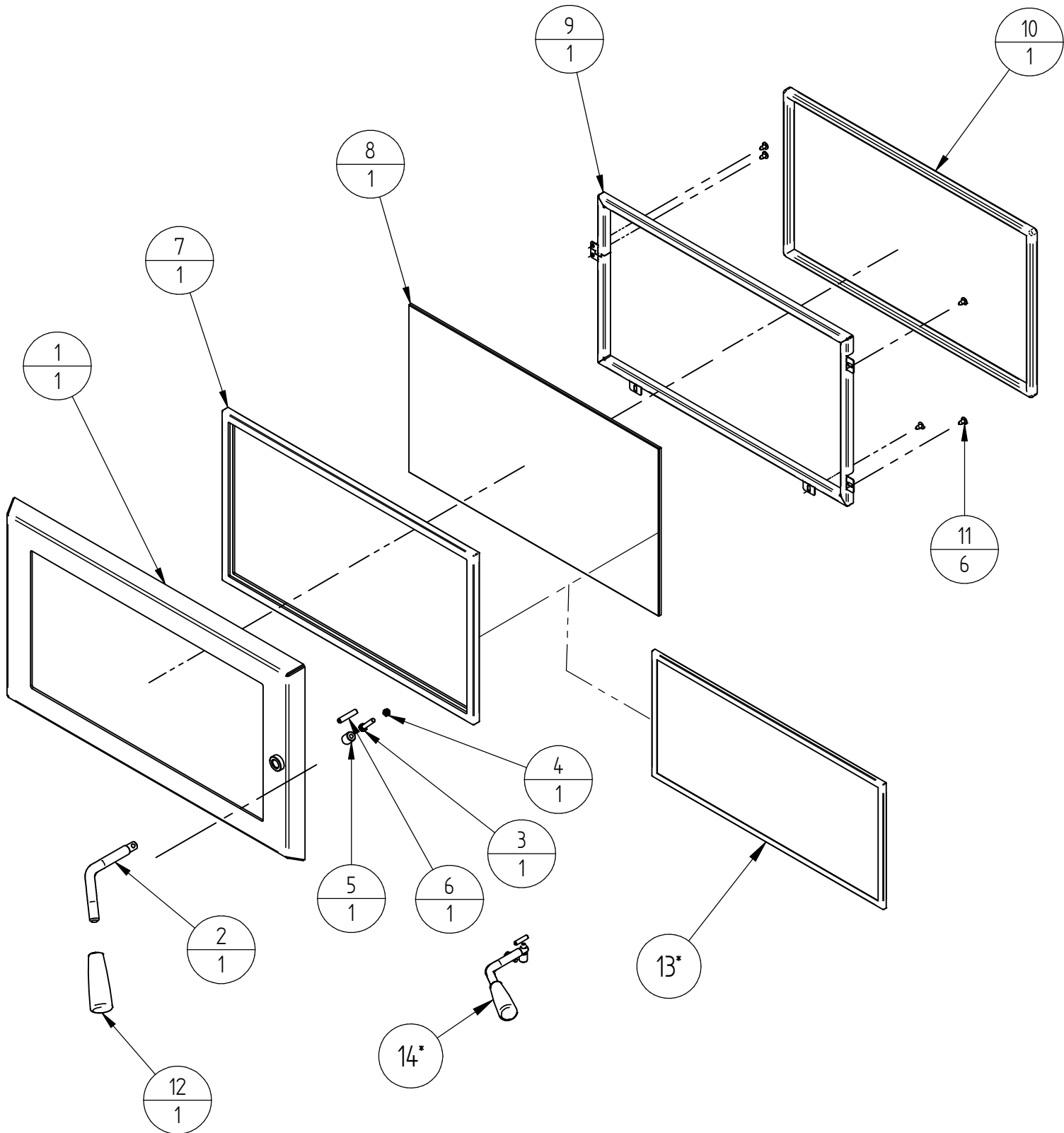
When ordering PLEASE QUOTE PART ID, MODEL Number & DESCRIPTIONS, NOT ITEM Number  
determining left hand side from viewing position

**AIRSLIDE, BAFFLE, BRICKS AND FIREBOX**

Item Number	File Name	Model(s)			Title	Quantity
		992930	992931	992934		
1	992185			N/A	R3000 RURAL F/B ASSEMBLY	1
1*	992250	N/A	N/A		R3000 RURAL LEG FIREBOX COMPLETE	1
3	992208				R3000 HINGE ASSEMBLY	1
4	992172			N/A	R3000 AIRSLIDE	1
4*	992238	N/A	N/A		R3000 RURAL AIR SLIDE	1
5	992200				R3000 AIR TUBE ASSEMBLY	1
5*	992239				TUBE-SEC AIR 25.4 DIA R3000 RURAL	1
7	992189				R3000 BAFFLE ASSEMBLY	1
9	HBA00118				HBA BRICK RETAINER	7
10	521076				SCREW; M6X16 HEX ZP	6
13	MIC00083				LOGAIRE METRO AIR SLIDE SPACER	2
16	MIC00129				MIC AIR DEFLECTOR BUSH	2
21	522117				NUT; HEX STD M6 ZP	2
22	523018				WASHER; FLAT 5/16"X5/8" X16G BLK	4
23	526101				CLIP; R-CLIP 1.8 DIA ST	1
25	MIC00354				MIC BRICK	6
26	592206				R3000 BRICK 25 X 115 X 250	1
30	593568				AIR SLIDE KNOB PUSH ON	1
38	521075				SCREW; M6X12 HEX ZP	7
42	521061				SCREW; M6X50 HEX ZP	2

When ordering PLEASE QUOTE PART ID, MODEL Number & DESCRIPTIONS, NOT ITEM Number  
determining left hand side from viewing position

# DOOR ASSEMBLY



When ordering PLEASE QUOTE PART ID, MODEL Number & DESCRIPTIONS, NOT ITEM Number  
determining left hand side from viewing position



DOOR ASSEMBLY						
Item Number	File Name	Model (s)			Title	Quantity
		992930	992931	992934		
1	992174	V02	V02	V02	R3000 WELDED DOOR ASSEMBLY	1
2	KRR00373				KRR DOOR LEVER	1
3	521805				SCREW; CAP M5X25 ALLEN BLK	1
4	522901				NUT; BINX M5 ZP	1
5	PYR00461				PYR HANDLE ROLLER	1
6	521706				SCREW; GRUB M6X25 ALLEN BLK	1
7	C25MMLT				GLASS FIBRE TAPE 25x3x50m ROLL (MTR)	1
8	592175				R3000 GLASS	1.45 MTR
9	992182				R3000 GLASS RETAINER	1
10	C14MMDR				R3000 DOOR ROPE	1.45 MTR
11	521627				SCREW; S/T 8GX3/8" MUSH FLANGE POZI BLK	6
12	PYR00376				PYR DOOR HANDLE	1
13*	792175				R3000 GLASS/TAPE SPARE KIT	1
14*	PYREDH				PYRE DOOR HANDLE ASSEMBLY	1

\*Optional Sale Kit

NOT ILLUSTRATED						
Item	Part ID	Model(s)			Descriptions	Qty
		992930	992931	992934		
1	593286	-	-	-	OWNER MANUAL WOODFIRES 2010	1
2	593287	-	-	-	INSTALL MANUAL WOODFIRES 2010	1
3	592212	-	-	-	R3000 SW & HW DATA SHEET	1
4	592214	-	-	-	R3000 LEG & PED BRICK LAYOUT	1
5	951515	-	-	-	CEILING PLATE 150MM 345X345 S/S	1

SURFACE FINISH CODES FOR PANELS					
VHT PAINT(Very High Temp)			POWDER COAT		
V02	P-000022	METALLIC BLACK	P02	MATT BLACK	
			P08	MANNEX BLACK	

When ordering PLEASE QUOTE PART ID, MODEL Number & DESCRIPTIONS, NOT ITEM Number  
determining left hand side from viewing position